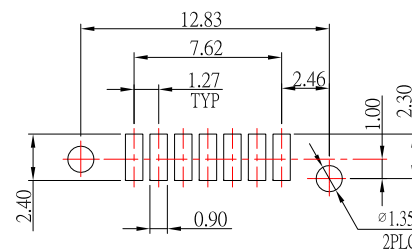


Increased CAP Drawing

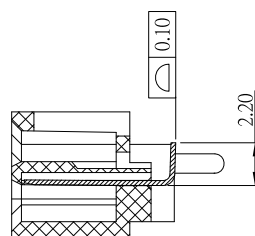
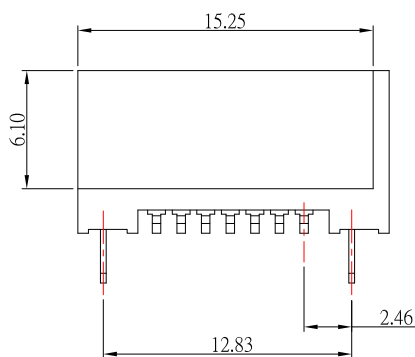
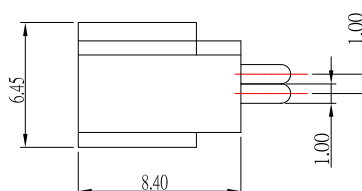
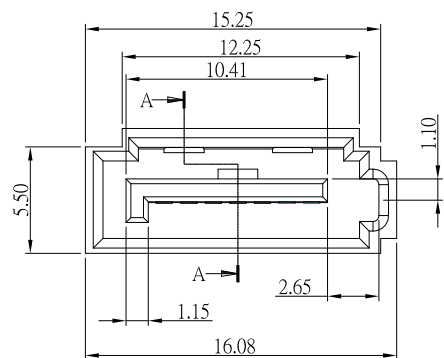


RECOMMENDED PCB LAYOUT

SATA-7B-84VS-x-S268

鍍層厚度:

Blank : 1u"
2 : 15u"
3 : 30u"



SECTION A-A

SPECIFICATION:

1.MATERIAL:

Housing: LCP , Black.

Contact: BRASS

Board Lock: BRASS

2.Finish:

Contact: Plated Gold in Mating Area ;

Tin Plated on Solder Balls ;

Nickel under plated overall

Board Lock: Tin Plated on Solder Balls ;

Nickel under plated overall

**CONTACT** 建倚科技股份有限公司  
CONTACT TECHNOLOGY CORP.

TOLERANCE UNLESS OTHERWISE STATED :  
Up to 5 ±0.2  
Above 5 ~ 15 ±0.3  
Above 15 ~ 30 ±0.4  
Above 30 ~ 50 ±0.5  
Angle ±0.3

3RD. ANGEL'S



UNITS MM

DRAWN BY:	DATE	MAT'L	TITLE	CONNECTOR
Jack Lu	04/02/18			
CHECKED BY:	DATE	FINISH	MODLE	SATA 7P B 型開槽全包裝地片SMT
Jacky Chen	04/02/18			
APPROVED BY:	DATE	SCALE	DWG NO.	SATA-7B-84VS-x-S268
Tony Kao	04/02/18	1 : 1		
		SHEET NO.	PART NO.	SATA-7B-84VS-x-S268
		1 of 1		

1	更新為A0版	Jack	040218
ITEM NO.	DESCRIPTION	DRAWN	DATE